

PLEASE CHECK WWW.MOLEX.COM FOR LATEST PART INFORMATION

Part Number: [0472330001](#)
Status: **Active**
Overview: [compression connectors](#)
Description: 1.20mm (.047") Pitch Compression Dual Row Key Pad Connector, 8 Circuits, Surface Mount, Solder Tail Gold (Au) Flash, Contact Area 0.40µm (16µ") Gold (Au) Plating

Documents:

[3D Model](#) [Product Specification PS-47041-001 \(PDF\)](#)
[Drawing \(PDF\)](#) [RoHS Certificate of Compliance \(PDF\)](#)

General

Product Family	PCB Headers
Series	47233
Application	Board-to-Board
Comments	Dimple in Contact Area
Overview	compression connectors
Product Name	Compression Connector

Physical

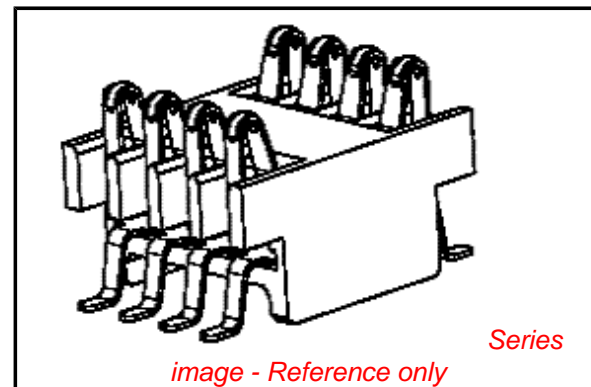
Breakaway	No
Circuits (Loaded)	8
Circuits (maximum)	8
Durability (mating cycles max)	30
First Mate / Last Break	No
Glow-Wire Compliant	No
Guide to Mating Part	No
Keying to Mating Part	None
Lock to Mating Part	None
Mated Height (in)	0.130 In
Mated Height (mm)	3.30 mm
Material - Plating Mating	Gold
Material - Plating Termination	Gold
Number of Rows	2
Orientation	Vertical
PC Tail Length (in)	0.024 In
PC Tail Length (mm)	0.60 mm
PCB Locator	No
PCB Retention	Yes
Packaging Type	Embossed Tape on Reel
Pitch - Mating Interface (in)	0.047 In
Pitch - Mating Interface (mm)	1.20 mm
Plating min: Mating (µin)	16
Plating min: Mating (µm)	0.40
Polarized to Mating Part	No
Polarized to PCB	No
Shrouded	No
Stackable	No
Temperature Range - Operating	-40°C to +85°C
Termination Interface: Style	Surface Mount

Electrical

Current - Maximum per Contact	0.5A
Voltage - Maximum	40V

Solder Process Data

Duration at Max. Process Temperature (seconds)	10
--	----



EU RoHS

ELV and RoHS Compliant
REACH SVHC
Contains SVHC: No
Halogen-Free Status

China RoHS



Need more information on product environmental compliance?

Email productcompliance@molex.com
 For a multiple part number RoHS Certificate of Compliance, [click here](#)

Please visit the [Contact Us](#) section for any non-product compliance questions.

Search Parts in this Series
[47233Series](#)

Lead-free Process Capability
Max. Cycles at Max. Process Temperature
Process Temperature max. C

Reflow Capable (SMT only)
2
255

Material Info

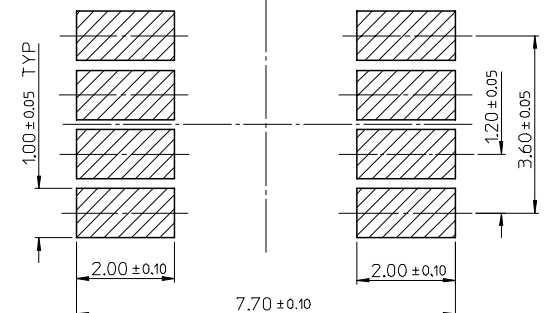
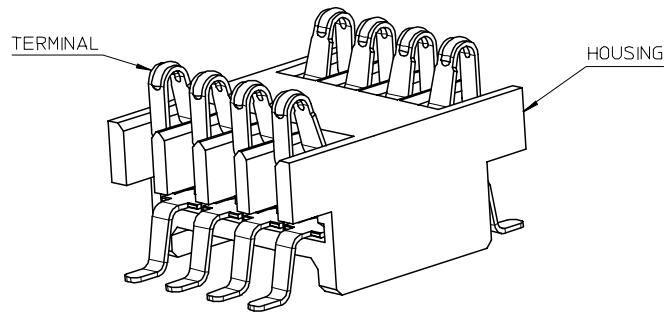
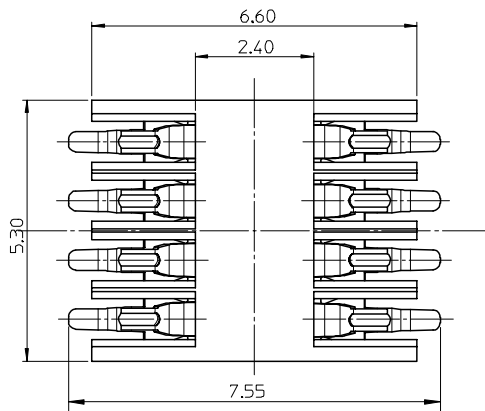
Reference - Drawing Numbers

Product Specification
Sales Drawing

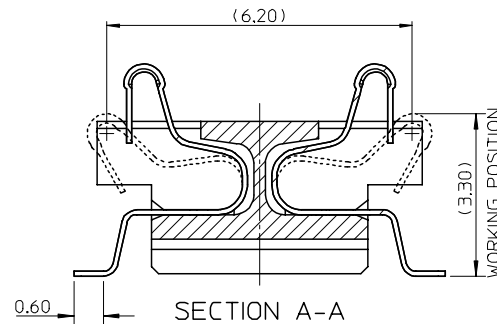
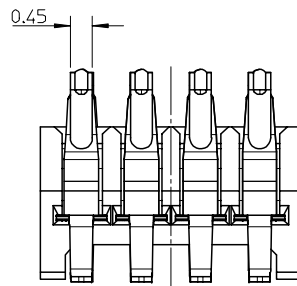
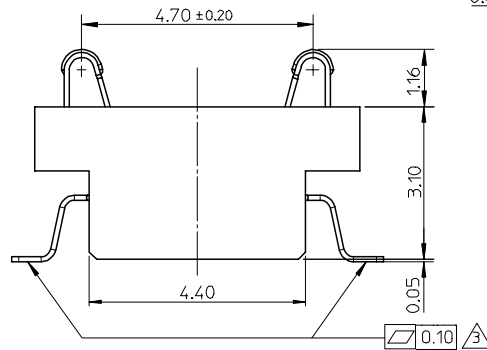
PS-47041-001
SD-47233-001

This document was generated on 05/26/2010

PLEASE CHECK WWW.MOLEX.COM FOR LATEST PART INFORMATION

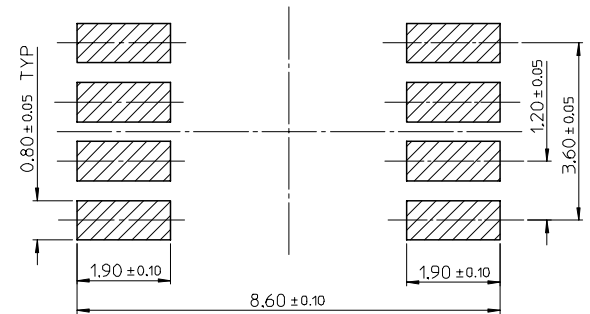


RECOMMENDER MATING PCB PATTERN LAYOUT

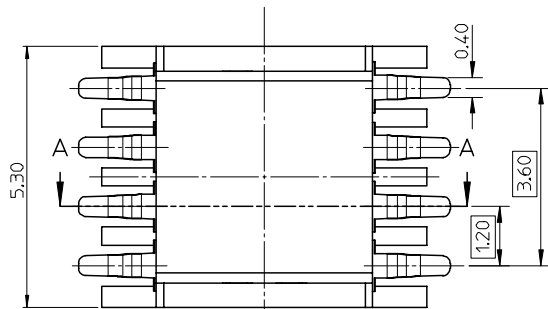


NOTES:

1. MATERIAL:
HOUSING: LIQUID CRYSTAL POLYMER(LCP), BLACK, UL94V-0.
TERMINAL: PHOSPHOR BRONZE.
2. PLATING:
CONTACT AREA: GOLD PLATING 0.4 MICROMETER MIN.
OTHER AREA: GOLD FLASH.
UNDER PLATING: NICKEL PLATING 1.27 MICROMETER MIN.
3. TOLERANCES TO BE APPLIED WHEN ON A HORIZONTAL PLANE.
4. PRODUCT SPEC: PS-47041-001.
5. PACKAGE SPEC: PK-47233-001.



RECOMMENDER PCB PATTERN LAYOUT



NEW RELEASE EC NO: SH2006-0143 DRWN:JSONG CHKD: APPR:GCHEN	2005/12/07 2005/12/08 2005/12/09	DESCRIPTION REV	QUALITY SYMBOLS	GENERAL TOLERANCES (UNLESS SPECIFIED)	DIMENSION STYLE	SCALE	DESIGN UNITS	THIRD ANGLE PROJECTION																		
			$\nabla=0$ $\sphericalangle=0$	<table border="1"> <thead> <tr> <th></th> <th>mm</th> <th>INCH</th> </tr> </thead> <tbody> <tr> <td>4 PLACES</td> <td>±---</td> <td>±---</td> </tr> <tr> <td>3 PLACES</td> <td>±---</td> <td>±---</td> </tr> <tr> <td>2 PLACES</td> <td>±0.10</td> <td>±---</td> </tr> <tr> <td>1 PLACE</td> <td>±0.15</td> <td>±---</td> </tr> <tr> <td>ANGULAR</td> <td>±---</td> <td>±---</td> </tr> </tbody> </table>		mm	INCH	4 PLACES	±---	±---	3 PLACES	±---	±---	2 PLACES	±0.10	±---	1 PLACE	±0.15	±---	ANGULAR	±---	±---	MM ONLY	1:1	METRIC	
				mm	INCH																					
			4 PLACES	±---	±---																					
3 PLACES	±---	±---																								
2 PLACES	±0.10	±---																								
1 PLACE	±0.15	±---																								
ANGULAR	±---	±---																								
DRAFT WHERE APPLICABLE MUST REMAIN WITHIN DIMENSIONS	<table border="1"> <tr> <td>DRAWN BY</td> <td>DATE</td> <td>TITLE</td> </tr> <tr> <td>QWFANG</td> <td>2005/05/28</td> <td>8 PINS COMPRESSION BTB CONNECTOR</td> </tr> <tr> <td>CHECKED BY</td> <td>DATE</td> <td></td> </tr> <tr> <td>GRMA</td> <td>2005/05/28</td> <td></td> </tr> <tr> <td>APPROVED BY</td> <td>DATE</td> <td></td> </tr> <tr> <td>YAP</td> <td>2005/05/28</td> <td></td> </tr> </table>	DRAWN BY	DATE	TITLE	QWFANG	2005/05/28	8 PINS COMPRESSION BTB CONNECTOR	CHECKED BY	DATE		GRMA	2005/05/28		APPROVED BY	DATE		YAP	2005/05/28		MOLEX INCORPORATED						
DRAWN BY	DATE	TITLE																								
QWFANG	2005/05/28	8 PINS COMPRESSION BTB CONNECTOR																								
CHECKED BY	DATE																									
GRMA	2005/05/28																									
APPROVED BY	DATE																									
YAP	2005/05/28																									
SIZE A3	THIS DRAWING CONTAINS INFORMATION THAT IS PROPRIETARY TO MOLEX INCORPORATED AND SHOULD NOT BE USED WITHOUT WRITTEN PERMISSION		MATERIAL NO.	DOCUMENT NO.	SHEET NO.																					
			47233-0001	SD-47233-001	1 OF 1																					